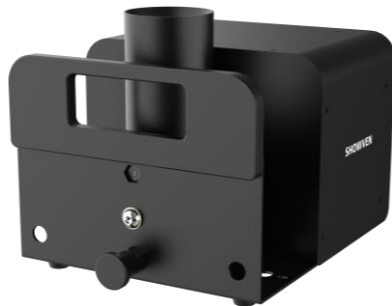


USER MANUAL

CO₂ JET X-C1

V1.0

2024/04/09



Showven Technologies Co., Ltd.

Thanks for choosing SHOWVEN CO₂ JET X-C1, we wish it will bring you lots of exciting moments. Please read the following manual carefully before operating this product.

Δ SAFETY CONSIDERATIONS

- \\ Unauthorized repair are prohibited, it may cause serious incident
- \\ Please read the following manual and warnings printed on device carefully before operating this product, and operate it strictly in accordance with the operating instructions.
- \\ Make sure power supply in consistent with the rated voltage of the equipment, and the socket must well grounded.
- \\ Make sure that children, unauthorised people and animals do not obtain access to the CO₂ Jet. Only use the CO₂ Jet if there are no people, animals or other objects in the direction of the output within the output distance.
- \\ Make sure no one can access to the CO₂ JET output pipe as long as CO₂ JET connect with hose and CO₂ tank valve was open.
- \\ Remove the remaining CO₂ pressure in the hose by firing one more time after close the valve of CO₂ tank before disassemble the hose.
- \\ Use CO₂ JET only in well-ventilated space.

Δ Description

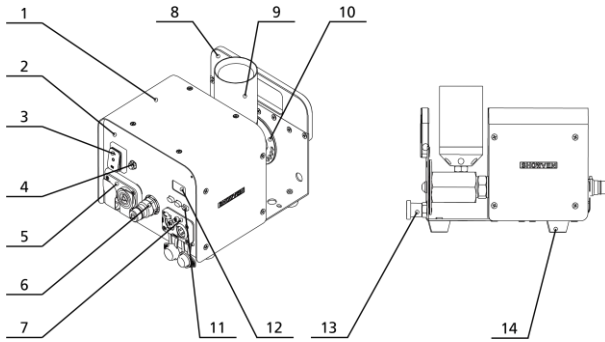
CO₂ JET is a CO₂ effect machine specially designed for the stage. It is a compact, lightweight, while no need of external bottom plate for firing. The nozzle is made of aluminum material, which makes the machine more durable. Built in both DMX and direct on-off control makes it versatile for different application situations and it blows clouds of CO₂ up to 8-10m.

Δ Technical Specifications

- \\ **Model:** X-C1
- \\ **Input:** AC110V/AC220V,50-60Hz
- \\ **Fuse:** 6.3A/240V
- \\ **Work Power:** 24W
- \\ **Dimension:** 285×192×192mm
- \\ **Weight:** 5kg
- \\ **Power Connectors:** Neutrik® power CON TRUE1 (in & out)
- \\ **Color LCD:** Yes
- \\ **Control:** DMX, Direct on-off voltage control
- \\ **Interface:** XLR IN/OUT
- \\ **Output Angle:** 0~180 degree (13 options)
- \\ **Connector:** DNP 3/8" quick coupler
- \\ **Pressure:** 60bar/870.22Psi
- \\ **Max Output Height:** 10m

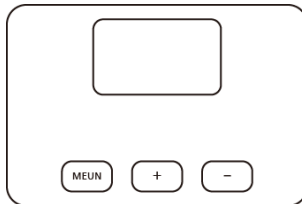
Consumable: Liquid CO₂

Δ Product Overview



- | | | | |
|-----------------|--------------------------|------------------------------|-----------|
| 1. Top Panel | 2. Rear Panel | 3. Power / DMX Switch Button | 4. Fuse |
| 5. POWER IN/OUT | 6. CO ₂ Input | 7. DMX IN/OUT | 8. Handle |
| 9. Output Pipe | 10. Angle Block Board | 11. Operating Button | |
| 12. LCD Screen | 13. Angle Knob | 14. Rubber Foot | |

Δ Operation Panel



MENU: Switch between different setting menu

+: Parameters up and save

-: Parameters down and save

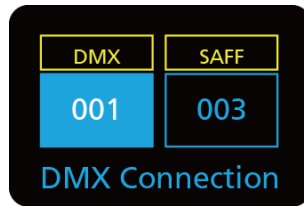
Δ Interface



First line: Manufacturer

Second line: Product model and version number

Δ DMX channel



DMX: DMX Address.

DMX CONNECTED: Blue background and white font;

NO DMX: Black background and white font.

SAFE: Safety channel address. Blue background and black font means DMX connected and safety channel is activated.

Notice:

When DMX is connected, "DMX_Connection" is displayed

Main menu settings:

Short press the MENU button to enter the main menu, and then press the MENU to switch pages to enter different items:

| MENU | Item | Default parameters | Explanation |
|-----------------|--|--------------------|--|
| Set DMX Address | 1-512 | 1 | DMX address setting |
| Set Safety Addr | 1-512 | 3 | Safety address setting |
| Safety Valve | 76-120/ 102-153/ 127-178/ 153-204/ 178-229 | 127-178 | The value range of the safety channel when the equipment is in the activated state |
| Manual Work | ON/OFF | OFF | Manually open the valve |

DMX control:

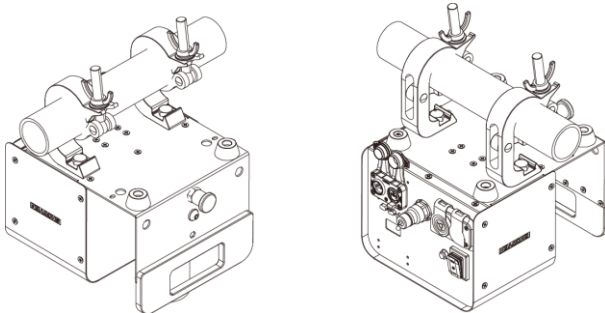
| Channel | Function |
|---------------|--|
| Channel (CH1) | (0-100)off; (100-255)The relay is turned on |
| CH-S | When the safety channel value is within the range of the Safety Valve value, the device is active. |

Δ Operation

1. Place the CO₂ JET on a horizontal firm surface.
2. Set the output pipe to desired angle by pull the angle knob. Shake the output pipe to make sure the angle knob is locked by angle block board.
3. Connect a power cable to the power input, switch the DMX/POWER switch button to POWER control mode. Check if you can hear a click sound of valve open when power is ON, if so means the machine is working correctly.
4. Switch the DMX/POWER switch button to the desired firing control mode (POWER or DMX).
5. Connect a DMX cable, set DMX address and safety address for each unit of machine (if use DMX control), ignore this step if use POWER control.
6. Connect the CO₂ hose to CO₂ cylinder, tightened with a wrench, otherwise it may result in air leakage.
7. Connect the CO₂ hose to CO₂ JET CO₂ IN quick coupler.
8. Open the valve of CO₂ tank gradually and listen carefully to check whether there is air leakage sound, if so please turn off the valve, find out the leakage area and reconnect.
9. Check the amount of CO₂ remains in the CO₂ cylinder by check pressure gauge value, normally it should between 5-7Mpa, if pressure is low means there is not enough CO₂ inside.
10. Check the safety distance of each machine, make sure the output direction of each CO₂ JET is free from persons, animals and objects.
11. Fire.
12. After each show, please close the CO₂ cylinder valve, firing CO₂ JET to empty the remaining CO₂ in the hose to release the pressure.
13. Power OFF CO₂ JET. Disconnect the CO₂ hose from CO₂ quick coupler on machine. Be care of the low temp. when close to CO₂ JET.
14. Disconnect the CO₂ hose from CO₂ cylinder.

Δ Upside-down Installation&Usage Method

1. There are two M10 hole at the bottom panel for upside down installations for CO₂ JET.
2. Condensation may occur upside down installation. We recommend installing a piece of absorbent cotton around the outer ring of the output pipe.



▲Maintenance

- \ When not use the machine, clean each air inlet and outlet regularly to prevent clogging with sand and dust and to prolong service life.
- \ The maximum service life of CO₂ hose is 1 year, after 1 year it needs to be replaced with a new one.
- \ The filter at the connection of the CO₂ cylinder or the quick coupler on the machine should be disassembled with a wrench for cleaning if it has been used for about two months and then reassembled as it after cleaning.

▲Warranty Instructions

- \ Sincere thanks for your choosing our products, you will receive quality service from us
- \ The product warranty period is one year. If there are any quality problems within 7 days after shipping out from our factory, we can exchange a brand new same model machine for you.
- \ We will offer free of charge maintenance service for machines which with hardware malfunction (except for the instrument damage caused by human factors) in warranty period. Please don't repair machine without factory permission

Below situations NOT included in warranty service:

- \ Damage caused by use other type of consumable which is not from SHOWVEN® or SHOWVEN® authorized distributor.
- \ Damage caused by improper transportation, usage, management, and maintenance, or damage caused by human factors;
- \ Disassemble, modify or repair products without permission;
- \ Damage caused by external reasons (lightning strike, power supply etc.)
- \ Damage caused by improper installation or use;

For product damage not included in warranty range, we can provide paid service.

Invoice is necessary when applying for maintenance service from SHOWVEN®.

SHOWVEN[®]



Showven Technologies Co., Ltd.

Tel: +86-731-83833068

Web: www.showven.cn E-mail: info@showven.cn

Add: No.1 Tengda Road, Liuyang Economic & Technical Development Zone, Changsha, Hunan,
410300, P.R.China